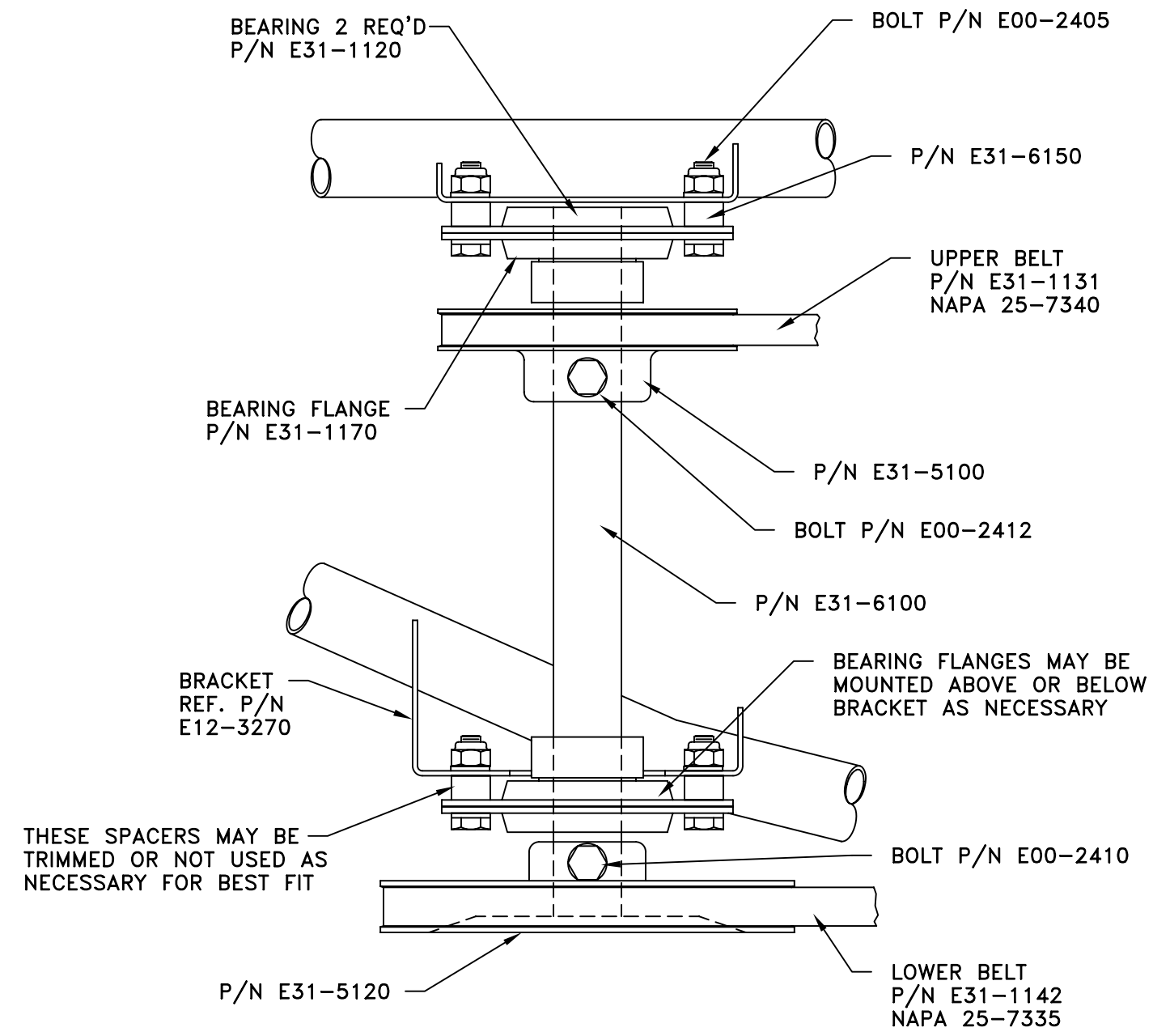
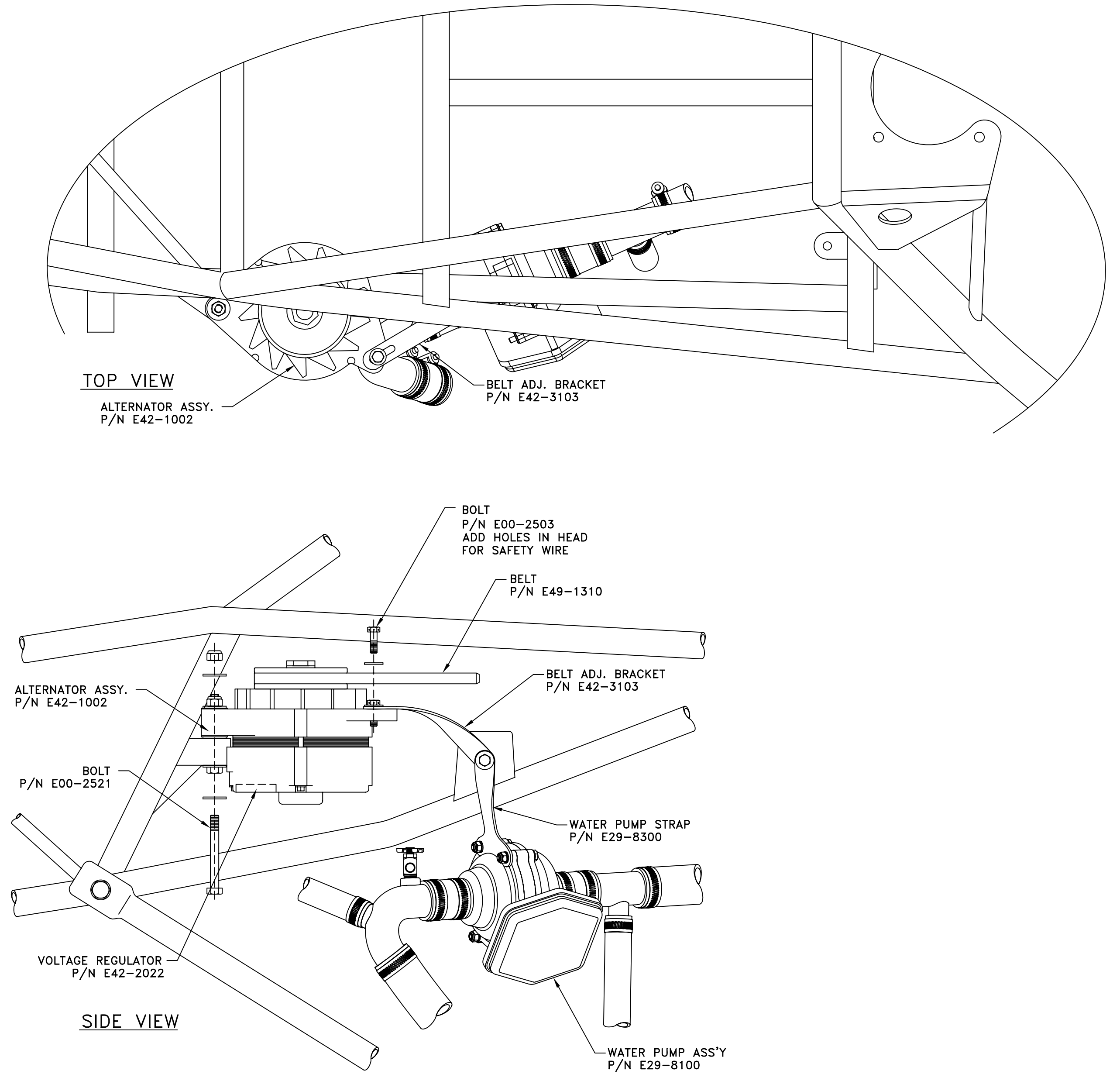


FAN DRIVE COUNTERSHAFT



NOTE: SPACE PULLEYS APART TO MATCH CORRESPONDING DRIVE PULLEYS ON SECONDARY UNIT.

WATER PUMP AND ALTERNATOR MOUNTING



| | | | |
|---|-----------------------------|------------------|--|
| ROTORWAY INTERNATIONAL CHANDLER, ARIZONA | | | |
| SCALE: NONE | APPROVED BY: | DRAWN BY: RMR | |
| DATE: 3-4-08 | | REVISED: 5-27-08 | |
| FAN DRIVE COUNTERSHAFT, WATER PUMP AND ALTERNATOR MOUNTING | | | |
| MODEL: A600 TALON | DRAWING NUMBER: E31-2000 | | |